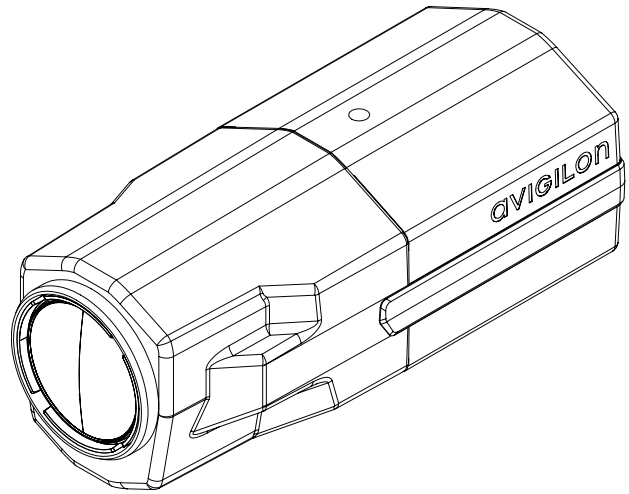


# 2.0 Megapixel Day/Night High Definition H.264 IP Camera



## Description

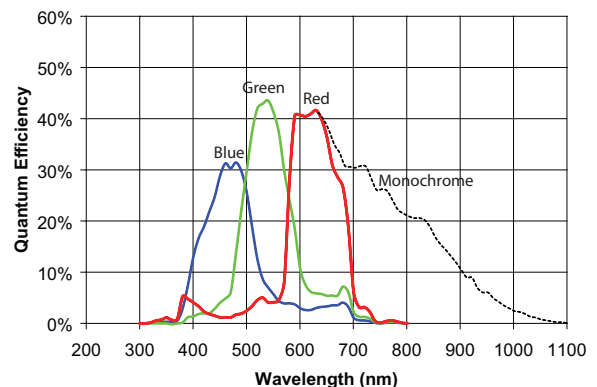
The Avigilon 2.0 megapixel day/night high definition H.264 IP camera is a progressive scan CMOS camera designed for a wide range of surveillance applications. An integrated fully motorized lens provides remote zoom and focus for easy installation and unsurpassed image quality. It transmits images over 100BASE-TX using H.264 technology to achieve the lowest network bandwidth, and requires minimal storage for video at high frame rates with superior image quality.

The camera's advanced image acquisition system automatically adjusts the exposure time, iris aperture and removable IR cut filter to ensure all available evidence is captured throughout the full range of day and nighttime scenes.

The camera seamlessly integrates with Avigilon Control Center NVMS and High Definition NVRs. The camera uses standard network technology to create a network based surveillance solution with unmatched performance, ease of use, and ease of installation. ONVIF compliance provides support from other leading video management systems. Camera power is provided by either Power over Ethernet, 12 VDC, or 24 VAC.

## Features

- 2.0 megapixel progressive scan CMOS sensor
- Unsurpassed image quality
- 4.7-84.6 mm, F1.6 lens with remote focus and zoom
- 30 images per second at full resolution
- 69 dB true dynamic range
- 0.4 lux minimum illumination in color mode and 0.04 lux minimum illumination in monochrome mode
- H.264 and JPEG compression
- ONVIF compliant API
- Multiple video streams
- Automatic exposure and iris control
- Automatic removable IR cut filter for sensitivity at night
- Power over Ethernet, 24 VAC or 12 VDC power input
- Audio Input
- Analog Video Output
- External I/O



# Specifications

## Camera

Image Sensor	1/2.7" progressive scan CMOS
Active Pixels	1920 (H) x 1080 (V)
Imaging Area	5.9 mm (H) x 3.3 mm (V) 0.231" (H) x 0.129" (V)
Minimum Illumination	0.4 lux ( F1.6) in color mode 0.04 lux (F1.6) in monochrome mode
Dynamic Range	69 dB
Lens	4.7-84.6 mm, F1.6, DC-iris, remote focus and zoom
Angle of View	4°-64°
Image Compression Method	H.264 (MPEG-4 Part 10/AVC), Motion JPEG
Image Rate	30 (all resolutions)
Streaming	Multi-stream H.264 and Motion JPEG
Resolution Scaling	Down to 352 x 240
Motion Detection	Selectable sensitivity and threshold
Electronic Shutter Control	Automatic, Manual (1/30 to 1/8000 sec)
Iris Control	Automatic, Manual
Day/Night Control	Automatic, Manual
Flicker Control	50 Hz, 60 Hz
White Balance	Automatic, Manual
Privacy Zones	Up to 4 zones
Audio Input	Line input, A/V mini-jack (3.5 mm)
Audio Compression Method	G.711 PCM 8 kHz
Video Output	NTSC/PAL, A/V mini-jack (3.5 mm)
External I/O Terminals	Alarm In, Alarm Out

## Network

Network	100BASE-TX
Cabling Type	CAT5
Connector	RJ-45
API	ONVIF compliant ( <a href="http://www.onvif.org">www.onvif.org</a> )
Security	Password protection, HTTPS encryption, digest authentication, WS authentication, user access log
Protocols	IPv4, HTTP, HTTPS, SOAP, DNS, NTP, RTSP, RTCP, RTP, TCP, UDP, IGMP, ICMP, DHCP, Zeroconf, ARP
Streaming Protocols	RTP/UDP, RTP/UDP multicast, RTP/ RTSP/TCP, RTP/RTSP/HTTP/TCP, RTP/RTSP/HTTPS/TCP, HTTP

## Mechanical

Dimensions (LxWxH)	156 mm x 69 mm x 64 mm 6.1" x 2.7" x 2.5"
Weight	0.56 kg (1.2 lbs)
Camera Mount	1/4" UNC-20 (top and bottom)

## Electrical

Power Source	VDC: 12 V VAC: 24 V PoE: IEEE802.3af Class 3 compliant
Power Consumption	6 W
Power Connector	2-pin terminal block

## Environmental

Operating Temperature	-10 °C to +50 °C (14 °F to 122 °F) -10 °C to +45 °C (14 °F to 113 °F) (with 12 VDC power source)
Storage Temperature	-10 °C to +70 °C (14 °F to 158 °F)
Humidity	20 - 80% Relative humidity (non-con- densing)

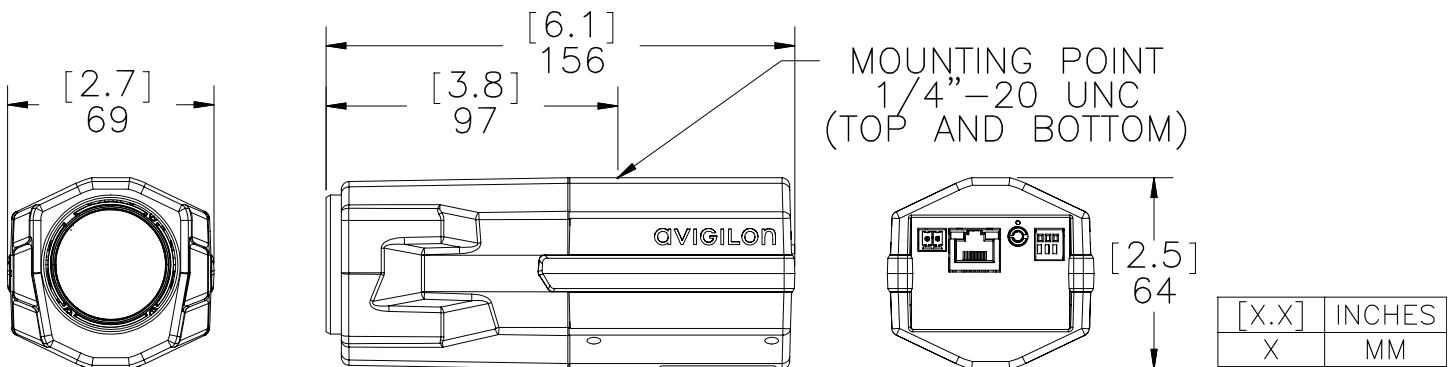
## Certifications

CE, Class B  
FCC, Class B  
UL/cUL Listed

## Ordering Information

2.0MP-HD-H264-B1	2.0 Megapixel Day/Night High Definition H.264 IP Camera
------------------	---

# Outline Dimensions



Specifications subject to change without notice. V1.0  
©2010 Avigilon Corporation. All rights reserved.

Trademarks and registered trademarks are the property of their respective owners.

[avigilon.com](http://avigilon.com)